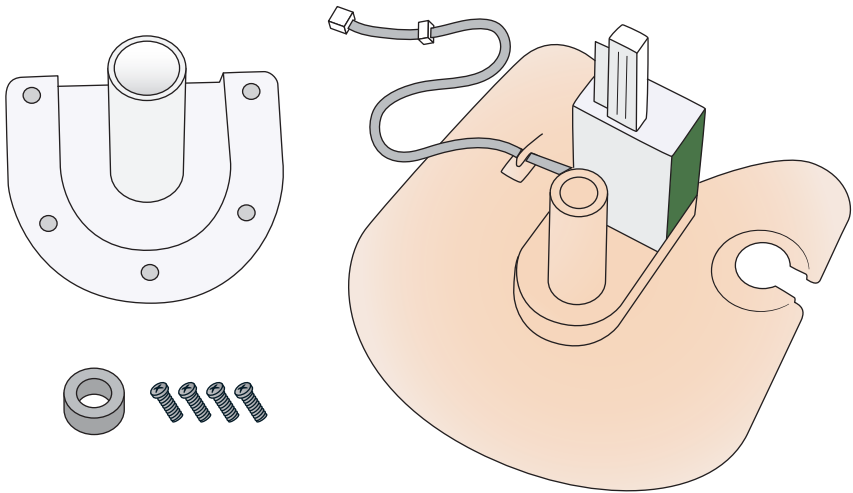
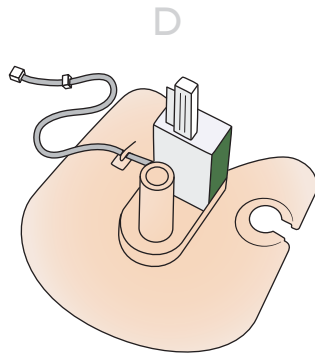
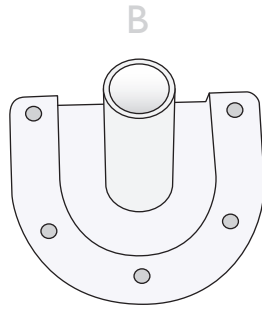
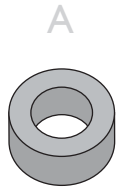


Resusci Anne QCPR

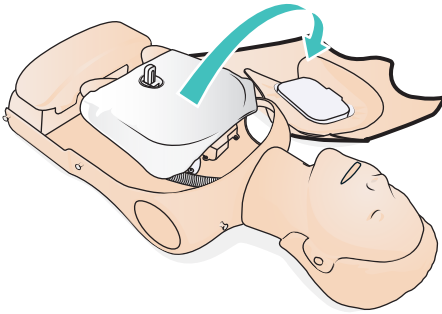
Maintenance Kit Guide



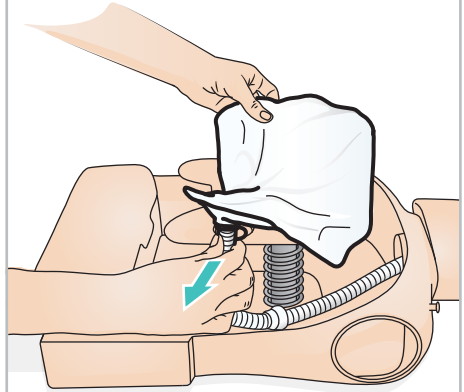


1

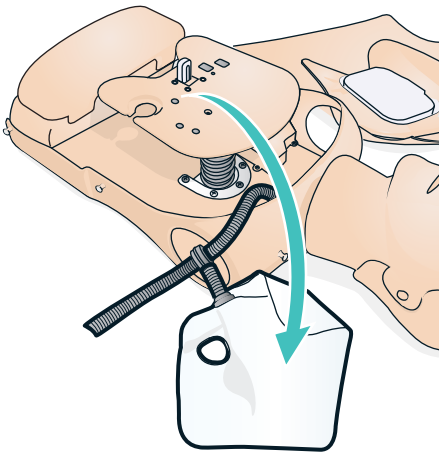
1



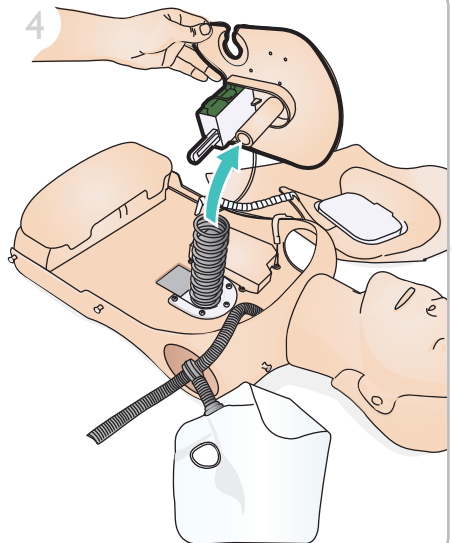
2



3

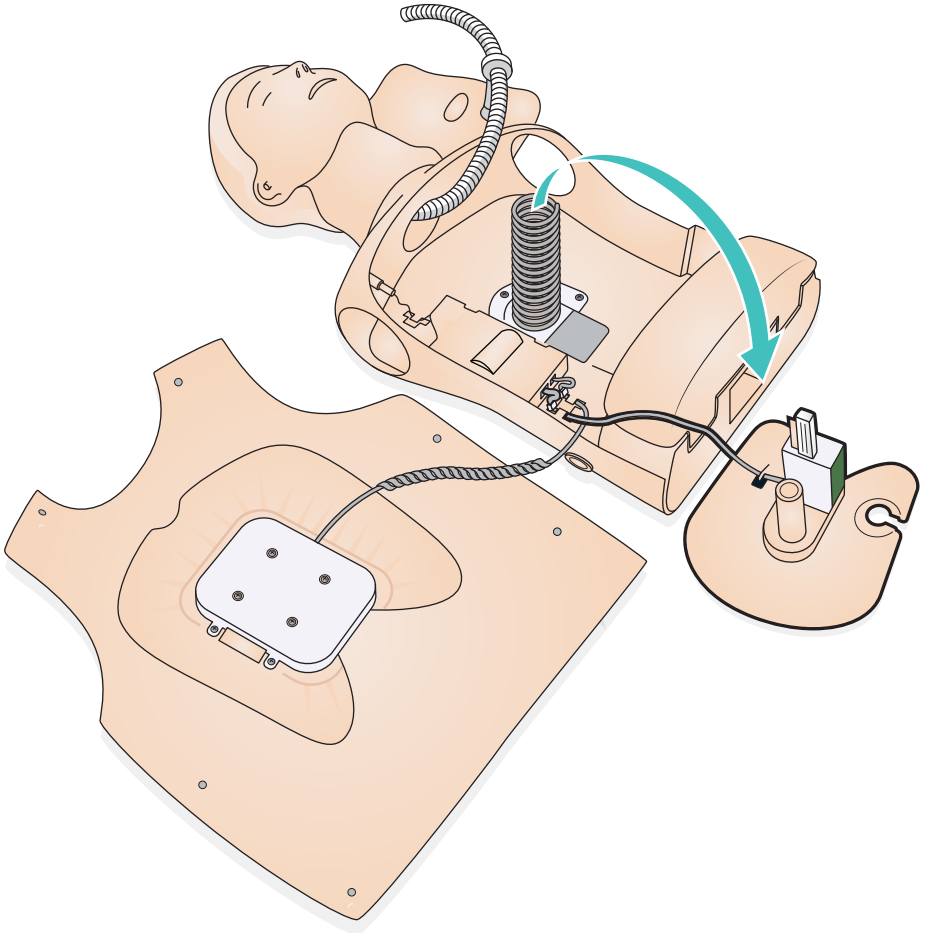


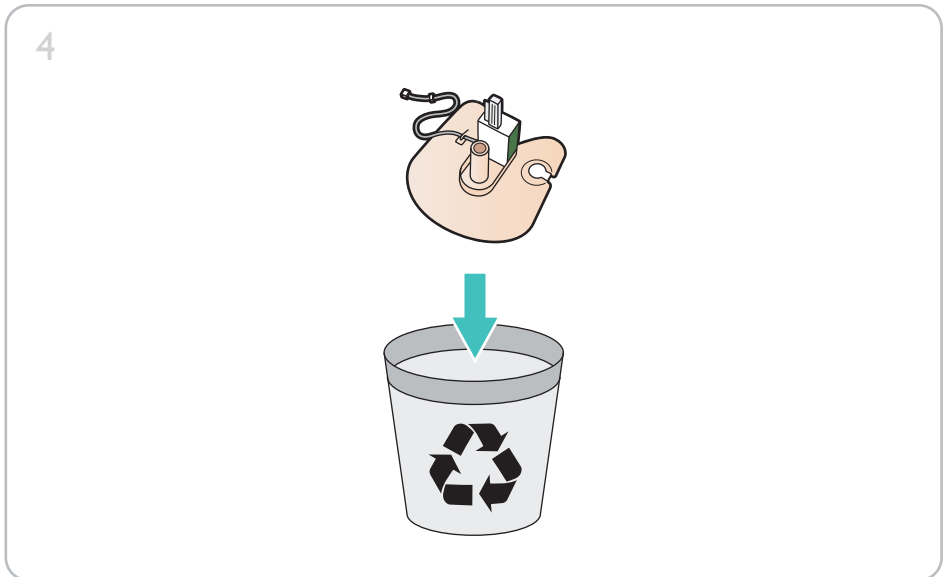
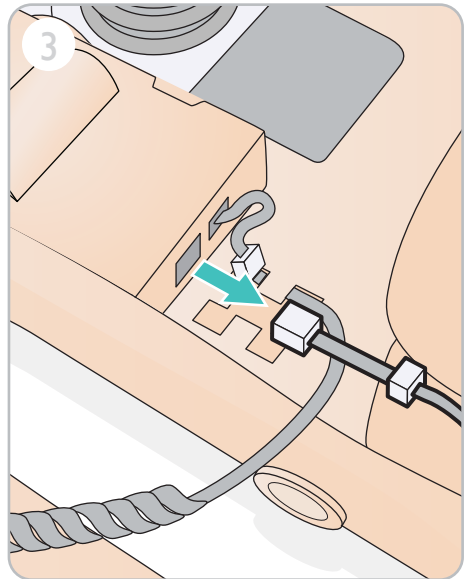
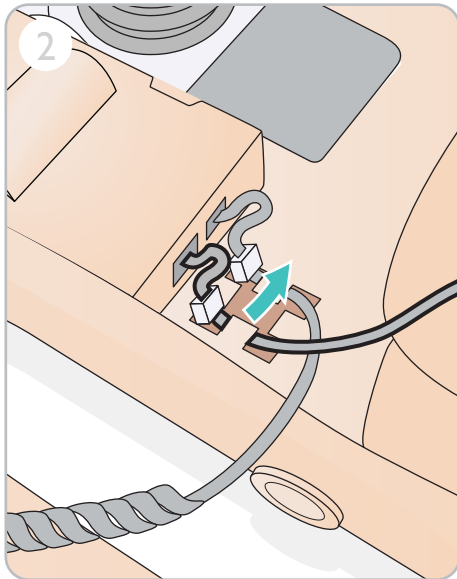
4



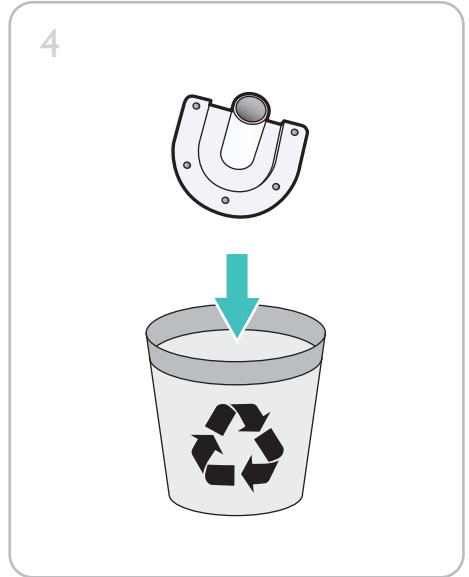
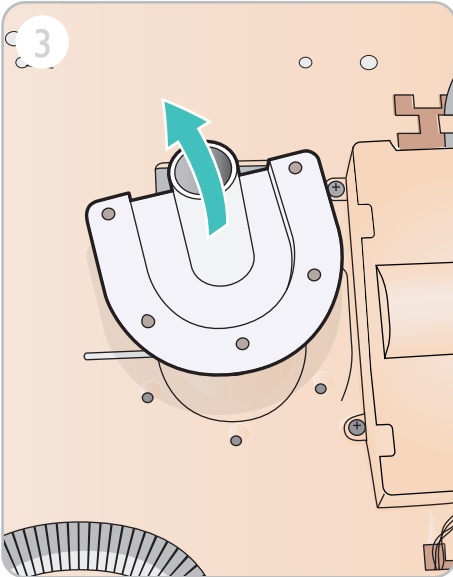
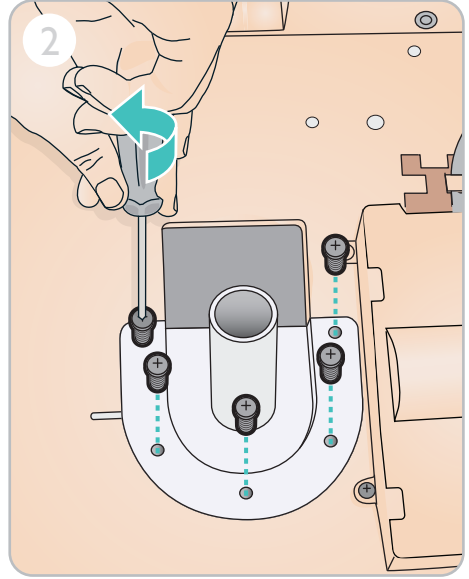
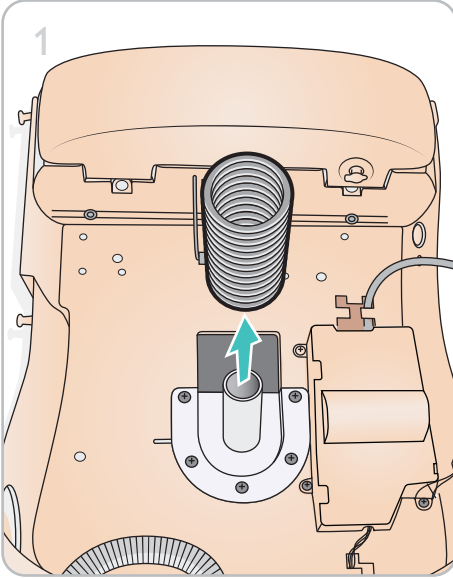
2

1

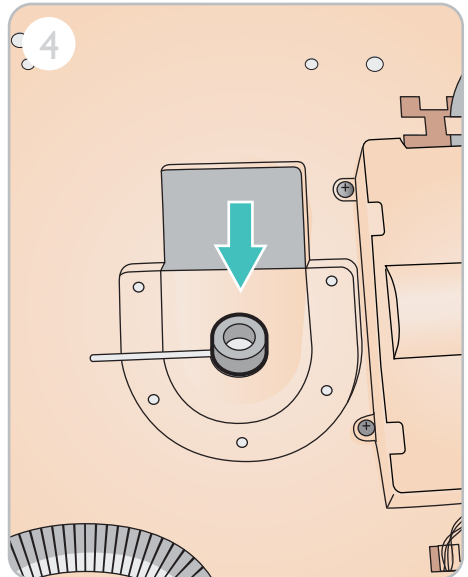
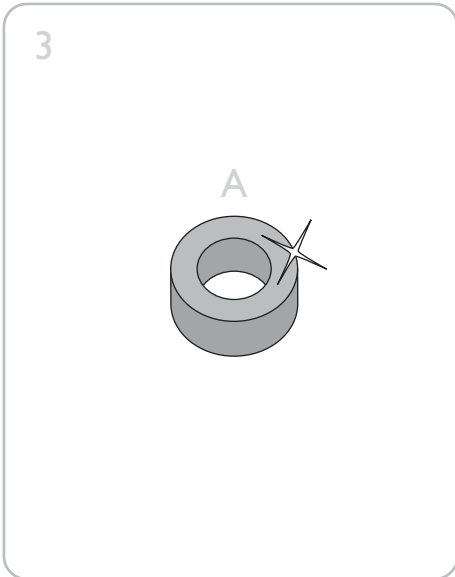
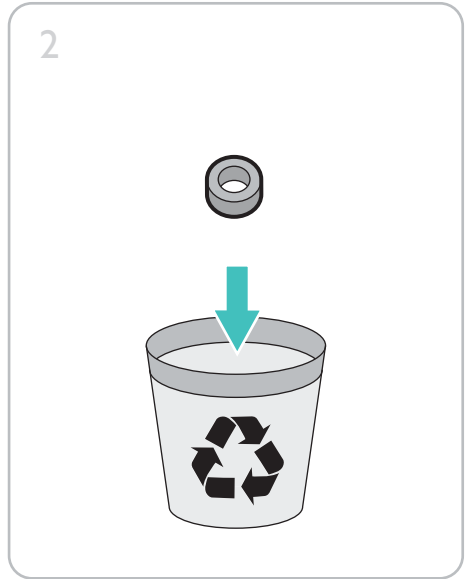
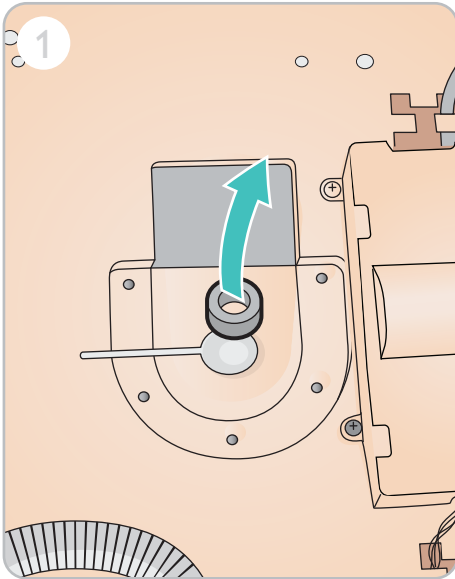




3

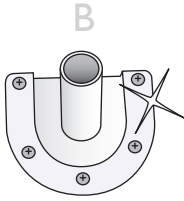


4

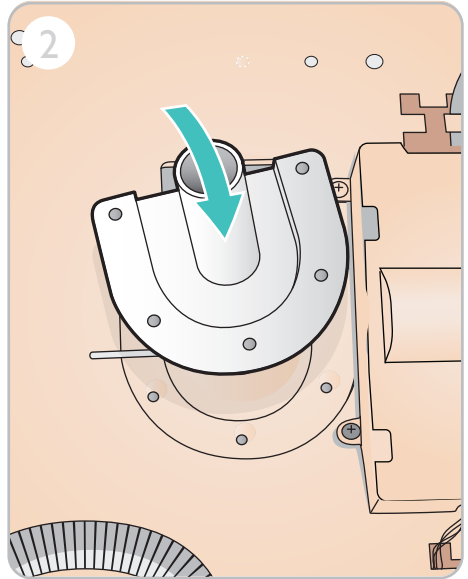


5

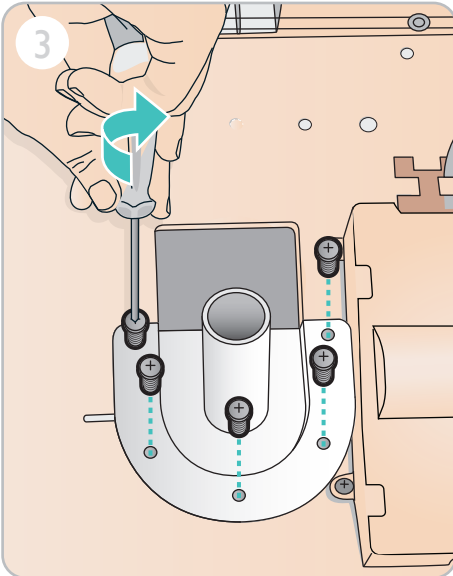
1



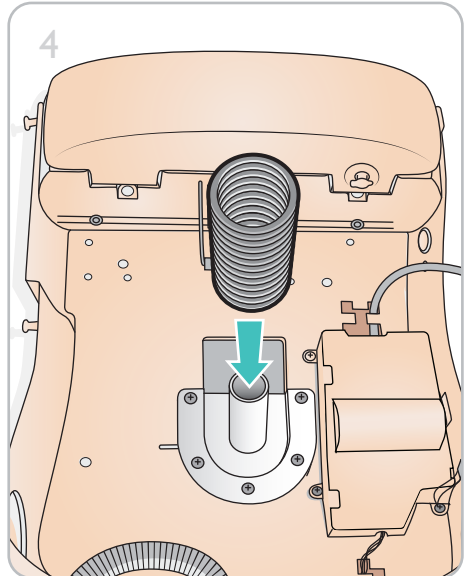
2



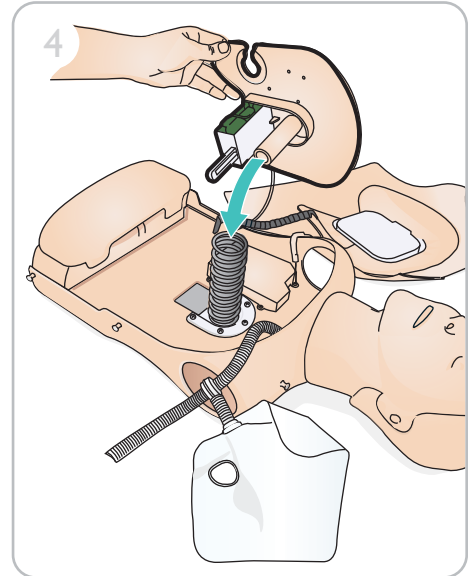
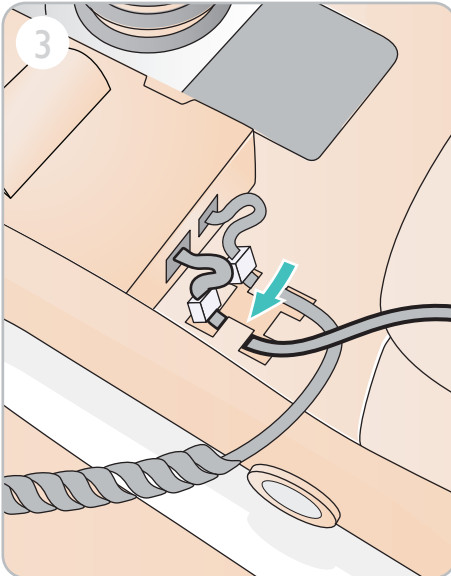
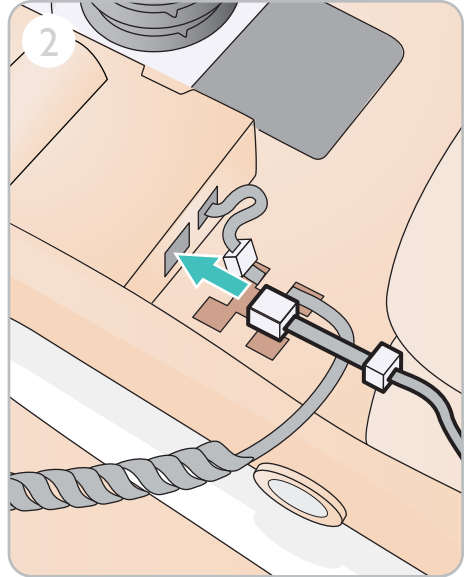
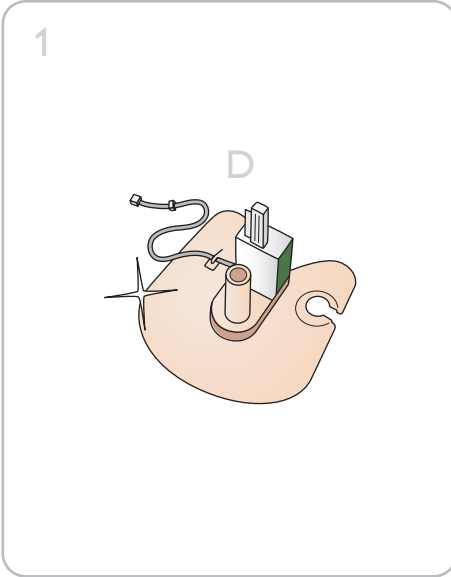
3



4

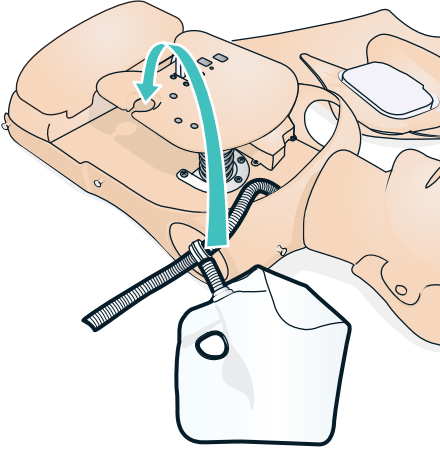


6

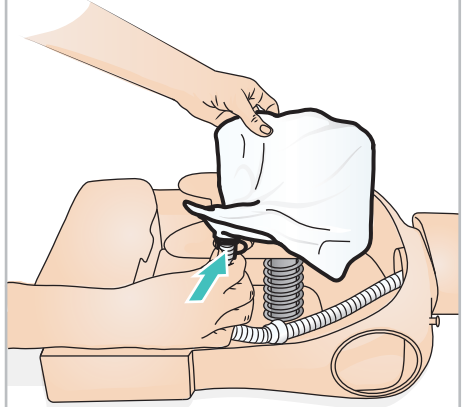


7

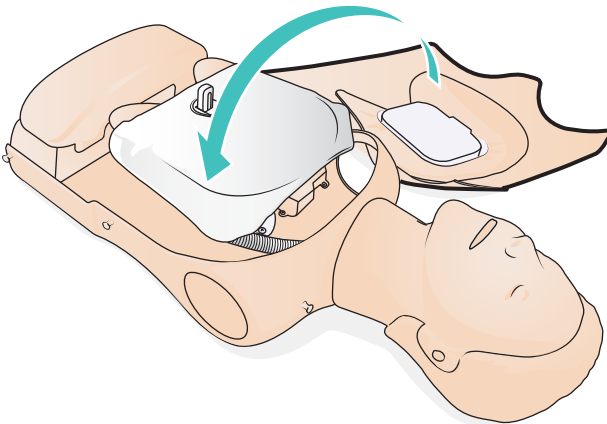
1



2



3



© 2018 Laerdal Medical AS. All rights reserved.
Printed in China

20-07308 Rev C

www.laerdal.com



Laerdal
helping save lives